



Nir-Or Ltd.

## Smart Display

07



Nir-Or's 10.4" Smart Display is an advanced Multi Function Color Display (MFC) with an embedded PC, suitable for adaptation to a wide array of helicopter and fixed-wing applications.

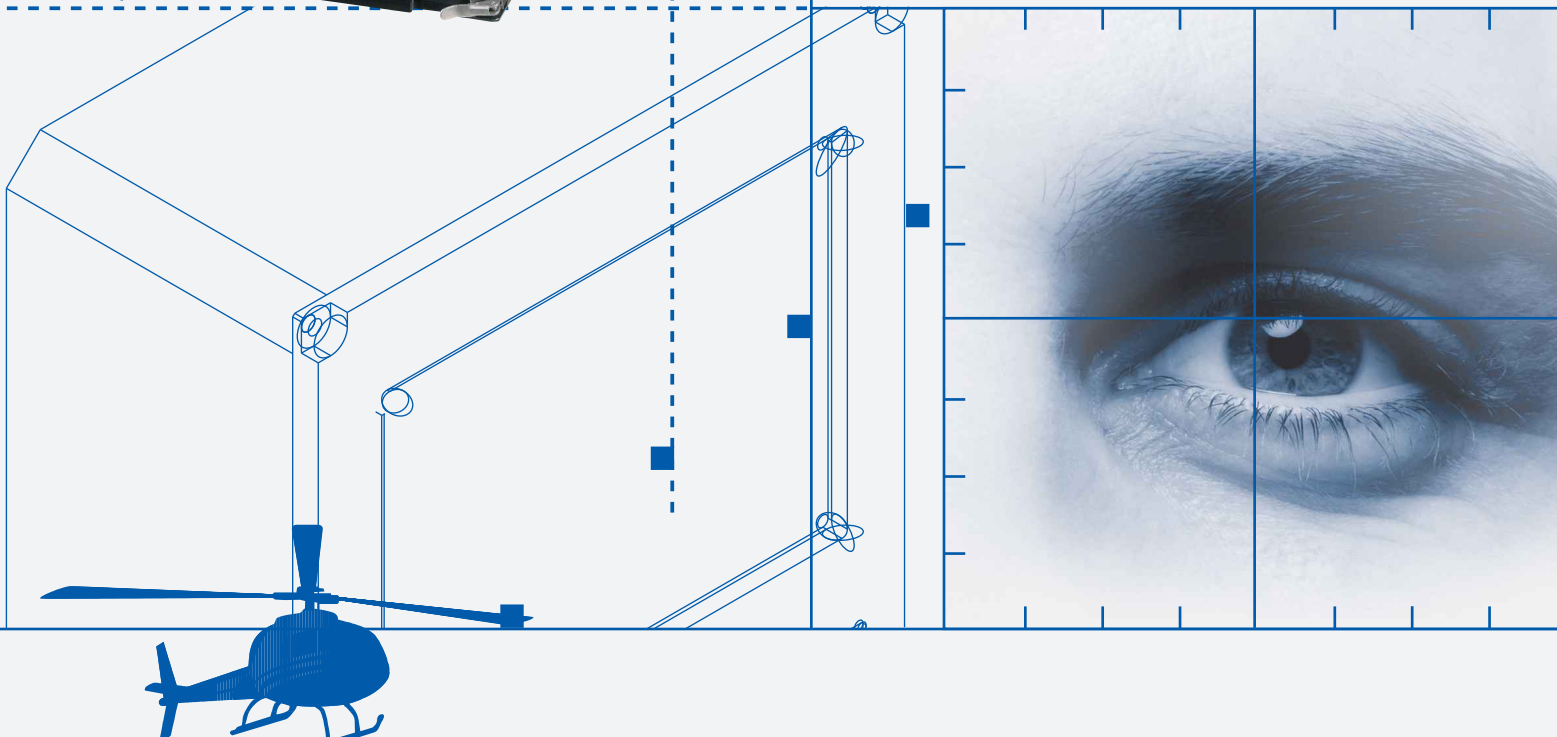
The display features a 6" X 8" Color Active Matrix LCD, with high brightness and contrast and wide viewing angles, adaptable to various video and communication sources and standards.

Its dual-mode backlight provides excellent readability in direct sunlight as well as full compatibility with Night Vision Goggles.

As an option, the display offers simultaneous display of one or two composite video (NTSC or PAL) windows, adjustable up to full size, as well as placement of video windows atop an SVGA PC computer display.

Embedded static and dynamic pressure sensors provide barometric altitude and air speed readings and computation.

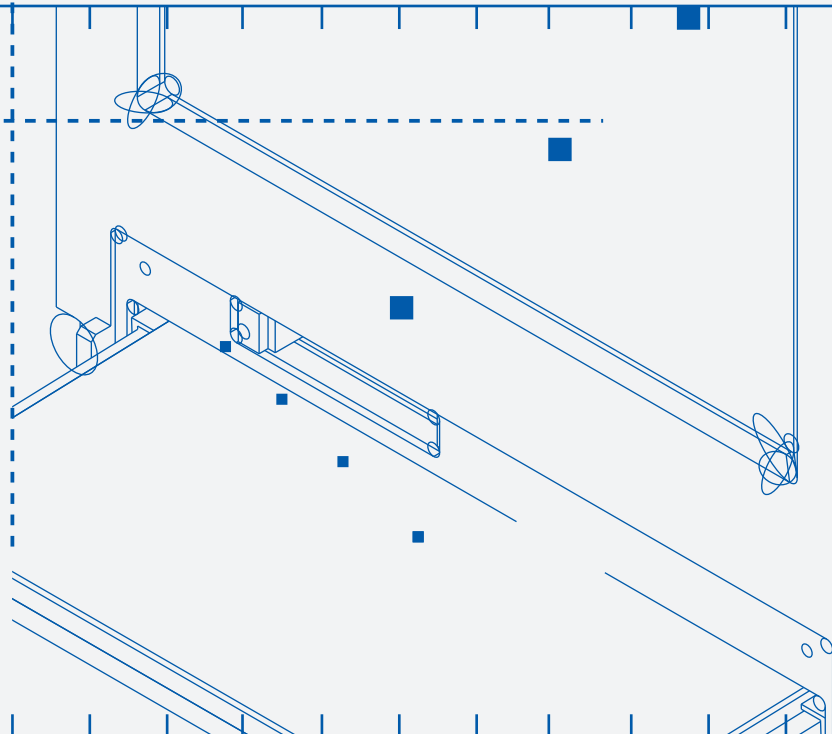
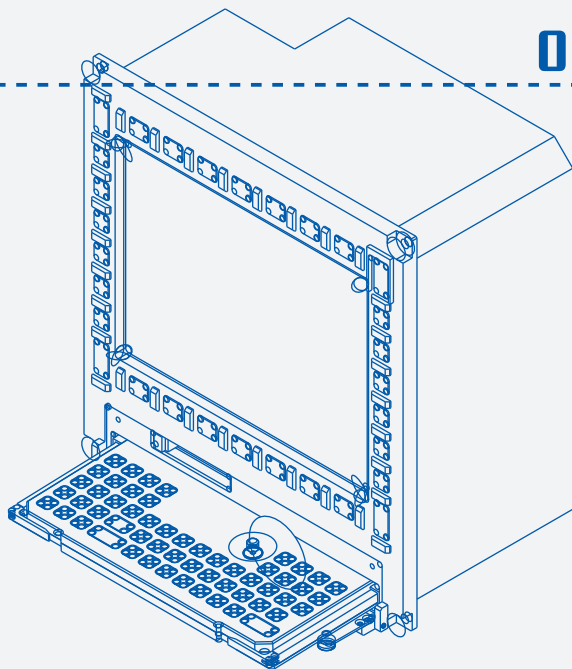
An alphanumeric keyboard with a miniature joystick pointing device is connected to the bottom of the unit, along with a multi-key bezel, giving the operator comprehensive and simple control over all display and computer functions. Data exchange is provided via 2 PCMCIA ports.



# Smart Display



07



## Specifications

Display				Unit Dimensions			
Diagonal	Display Area H" x V"	Standard	Resolution H" x V"	Height Inch/mm	Width Inch/mm	Depth Inch/mm	Weight Lb/Kg
10.4"	6X8	VGA/SVGA	800X600	11.8/300	11.1/282	6/153	17/7.7

**Frame rate** 50 to 60 fields/sec  
**Video standard** RGB or Composite  
 PAL or NTSC  
**Aspect ratio** 4:3  
**Brightness** 0.05 to 200 fL  
**Viewing angle** ±60° Horizontal; 35° up  
 and 60° down Vertical  
**Color capability** 6 bit color  
**Gray shades** 64 levels  
**NVG compatibility** Class A

### PC Specification

**Board** Little Board PC  
**CPU** Pentium-2, 333 MHz  
**RAM** 256MB  
**Hard disk** 5GB + 320MB Compact Flash  
**Extended cards** 2 PCMCIA Type II  
**Ethernet** 10/100 mbps

**Power input** 18-32V MIL-STD-704D  
**Panel illuminating voltage** 0-5vac Or 0-28 DC  
**Serial communication** RS-422, RS-232, MIL-STD-1553  
**Pressure sensors** Barometric altitude and differential  
 air pressure transducers  
**GPS** Trimble, 12 channels

**Operating temperature** -32° to +71°C  
**Max. operating altitude** 20,000 ft  
**EMC EMI** MIL-STD-461C, MIL-STD-6051D  
**Environmental condition** MIL-STD-810C/D/E  
**MTBF** 3000+ hours  
**Function keys** 26 illuminated key bezel, alphanumeric  
 keyboard with miniature joystick



**Nir-Or Ltd.**

11 Amal st. Afek Industrial Park, Rosh-Ha'ayin 48092, Israel

E-mail: nir-or@nir-or.com Tel: +972-3-9155222, +972-3-9155203 Fax: +972-3-9155223