

8.4" Multi Function Display

Nir-Or's family of MFD Multi Function Displays suits a broad range of helicopter and fixed-wing applications.

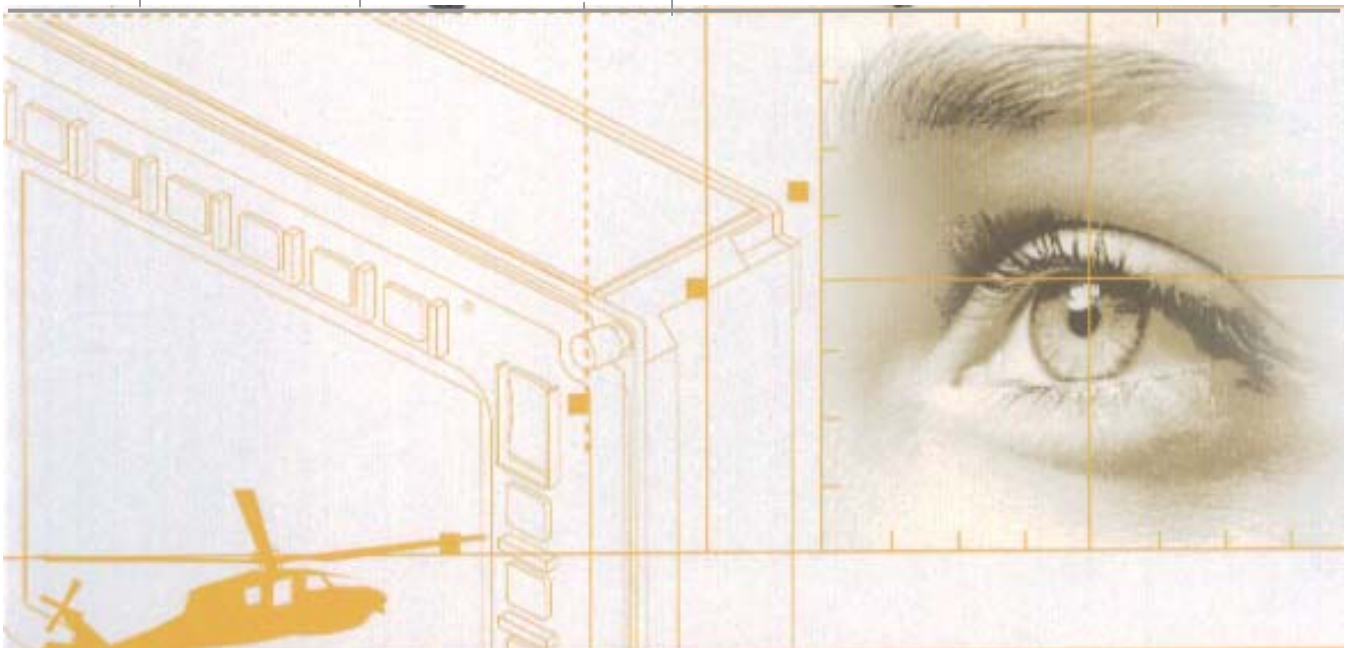
11

All products are designed and manufactured to specific customer requirements they are adaptable to various video, communication sources, and standards, and can be fitted in a variety of mechanical envelopes.

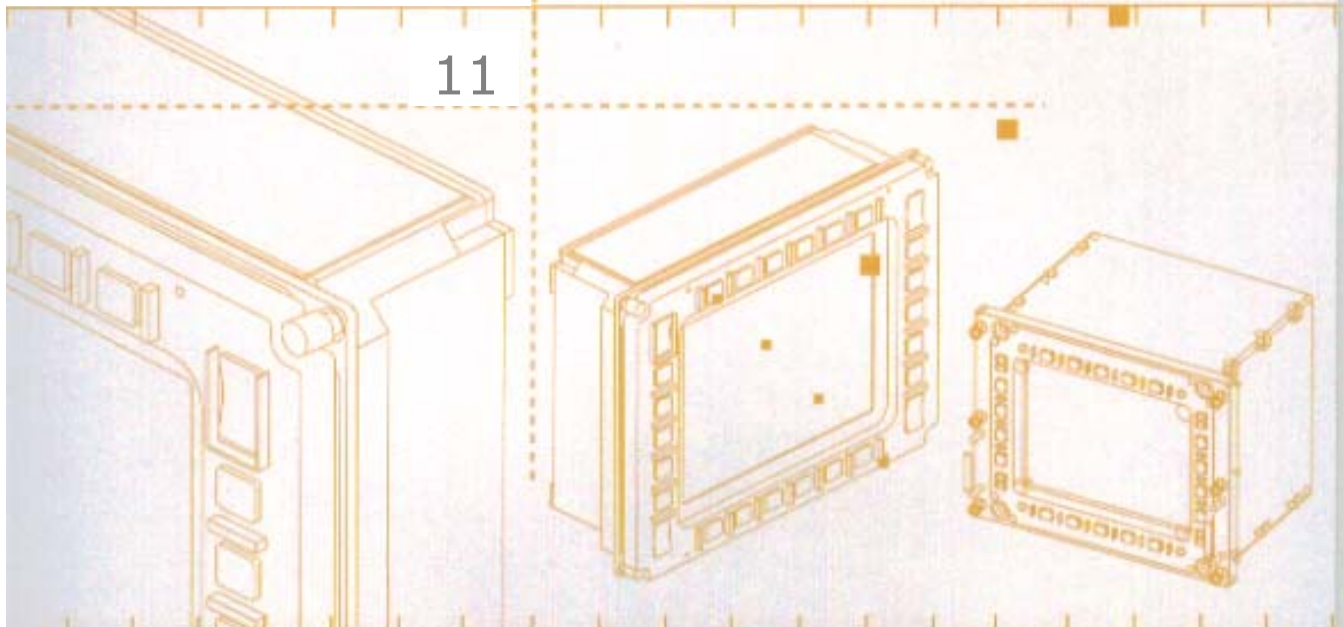


As an option, the display enables simultaneous display of one or two composites NTSC or PAL video windows, flexible size adjustment (up to full screen) and placement of video windows atop a standard PC (VGA, SVGA, XGA) analog display.

The MFCD offers Color Active Matrix LCD, with high brightness and contrast and wide viewing angles. Dual-mode backlight provides excellent readability in direct sunlight and full compatibility with Night Vision Goggles. Various multi-key bezels of pilot and display interface enable fitting in a range of avionics architectures.



8.4" Multi Function Display



Specifications

Catalog No.	Display				Unit Dimensions			
	Diagonal	Display Area H" x V"	Standard	Resolution H" x V"	Height Inch/mm	Width Inch/mm	Depth Inch/mm	Weight Lb/Kg
MFD-8402	8.4"	7" x 5"	VGA/SVGA	800 x 600	6.85 / 174	8.5 / 216	5.6 / 142	12.1/5.5

Power input	18-32V MIL-STD-704D
Panel illuminating voltage	0-5Vac or 0-28Vdc
Power consumption	50W MAX at full intensity
Serial communication	RS422, RS232
Signal & Video connectors	D38999/.. Type
Frame rate	50 up to 60 fields/sec.
Video standard	RGB, VGA/SVGA and composite video in PAL or NTSC
Aspect ratio	3:4
BIT	Microprocessor controlled Built-In Test capability
Brightness	0.05 to 180fl
NVG compatibility	Class B
Viewing angle	Horizontally $\pm 60^\circ$ Vertical $\pm 45^\circ$
Color capability	16,777,216 colors (8 bits each color)
Gray shades	256 Levels
Operating temperature Range	- 30°C to +55°C
EMC EMI	MIL-STD-461C, MIL-STD-6051D
Environmental condition	MIL-STD-810C/D
MTBF	Over 5000 hours (calculated per MIL-MDBK-217E)
Function keys	Soft keys for system control



Nir-Or Ltd.

11 Amal St. Afek Industrial Park, Rosh Ha'ayin 48092 ISRAEL
 E-mail: nir-or@nir-or.com Tel: +972 3 9155222 / 203
 Web Site: www.nir-or.com Fax: +972 3 9155223