

Digital Video Recorder (DVR)

Nir-Or's airborne Digital Video Recorder is a small lightweight device, which suits a wide array of applications in rugged environment.

12

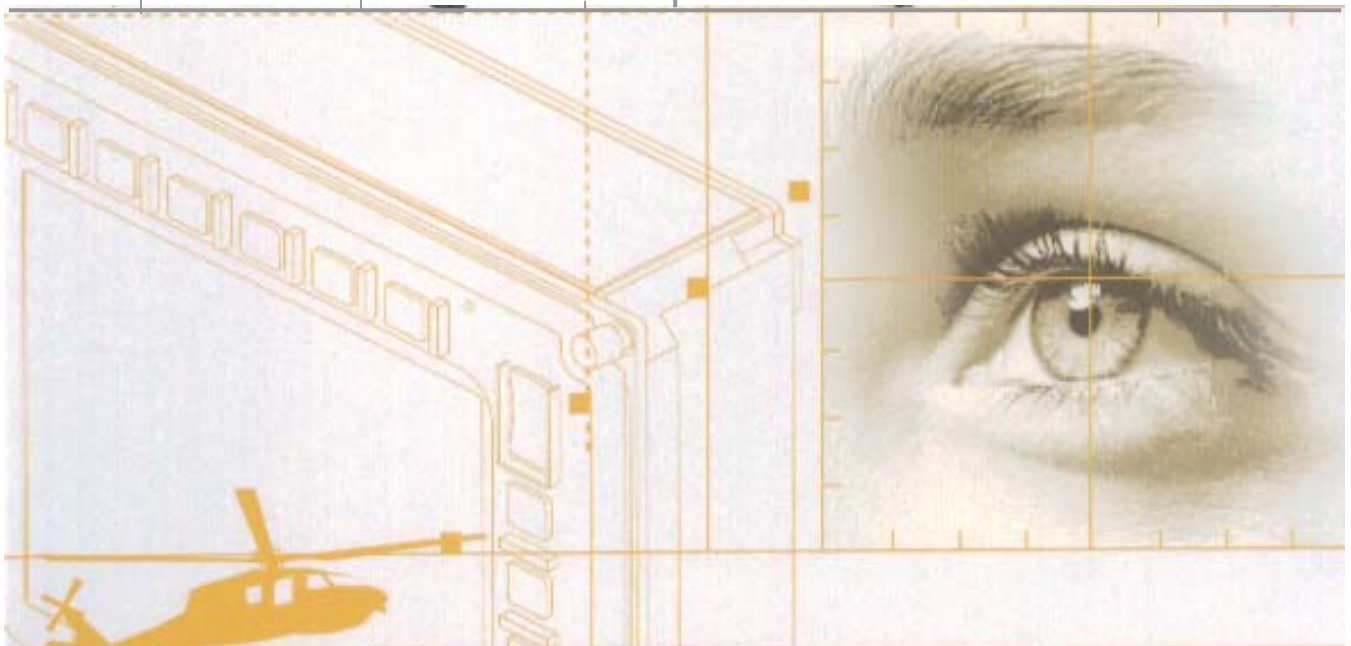
The DVR has a capability of digital recording on a flashcard or on a removable hard disk (approx. 16 hrs. on 40GB disk).



The digital recorder enables the user a broadcast quality recording of one video channels and one audio channel that are recorded simultaneously. Instant playback of the video channel with the audio channel can be done, while the recording is continuing.

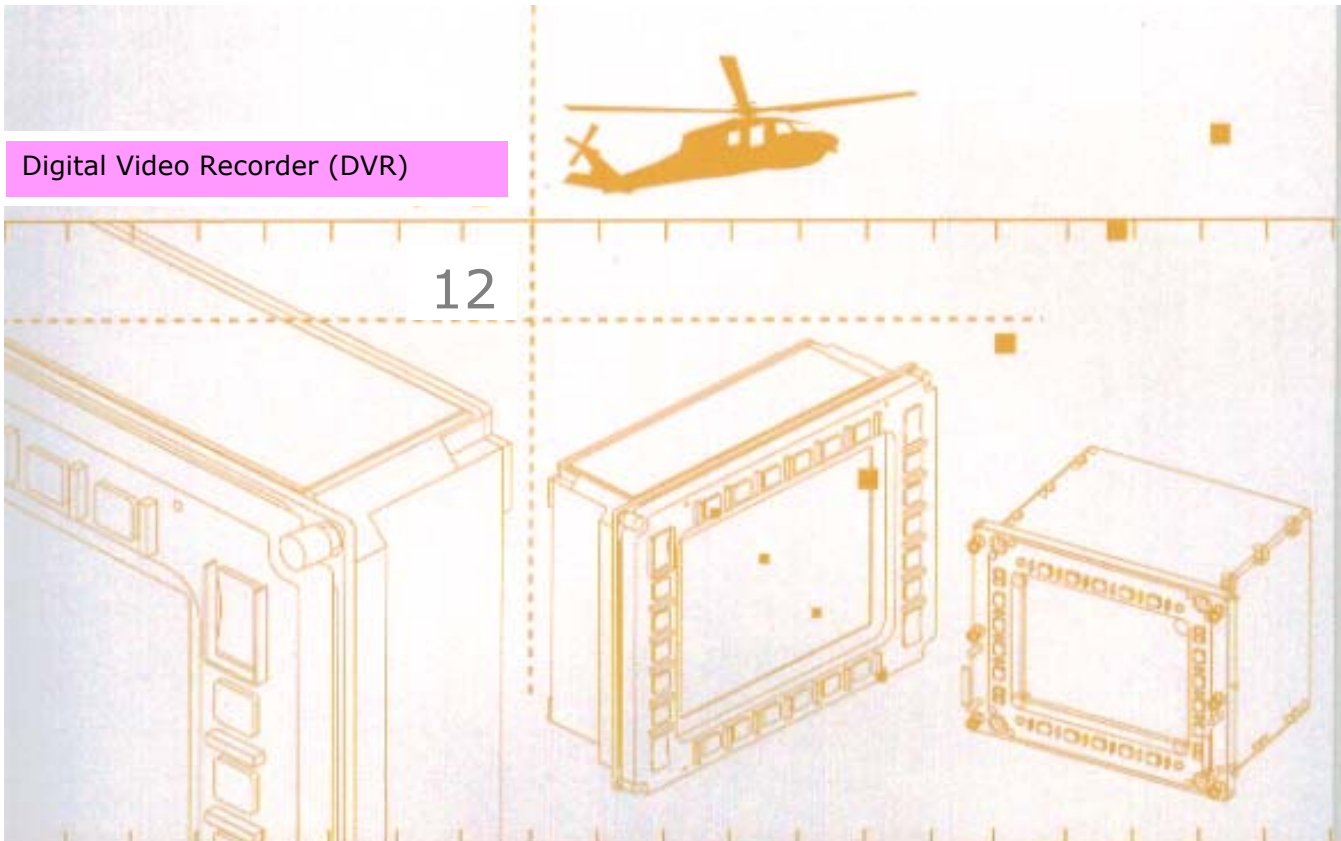
Playback of recorded files can be done on a PC by connecting the removable hard disk to any USB port with a special adapter.

The DVR is designed and manufactured according to specific customer requirements to be fitted in a variety of mechanical envelopes. The DVR controlled by any type of standard communication replacing old type of tape recorder with no need to change the wiring and the mechanical interface.



Digital Video Recorder (DVR)

12



Specifications

Part No.	Recorder		Unit Dimensions			
	Input	Output	Height Inch/mm	Width Inch/mm	Depth Inch/mm	Weight Lb/Kg
3202-000	Composite Video & Audio	Composite Video & Audio	2.7 / 68	4.3 / 110	6.7 / 170	2.2/1.0

Power input	18-32V MIL-STD-704D
Power consumption	30W MAX
Serial communication	RS-422, RS-232
Video/Signal/Power connector	D-type
Operating temperature Range	- 5°C to +55°C
EMC EMI	MIL-STD-461C, MIL-STD-6051D
Environmental Condition	MIL-STD-810E
MTBF	Over 5000 hours
Inputs:	
Composite Video	Input Impedance: 75 Ohm Input Levels: 1.0Vp-p Standards: 525/60 (NTSC), 625/50 (PAL)
Audio	Level: Up to 3V p-p Load: Single-ended high impedance
Output:	
Composite Video	Input Impedance: 75 Ohm Input Levels: 1.0Vp-p Standards: 525/60 (NTSC), 625/50 (PAL)
Audio	Level: Up to 3V p-p Load: Single-ended high impedance
MPEG-2 Encoding	Horizontal resolution: 704,640,544,480,360,321,160. Vertical resolution: 112,240,480 (NTSC), 144,288,576 (PAL)
MPEG-2 Decoding	Video: MPEG-2 MP@ML Letter Box (16:9 and 14:9), 2:1, 3:1, 4:1 downsizing. Audio: MPEG-1(layers 1 and 2), AC-3
Storage	IDE Flash card or hard disk



Nir-Or Ltd.

11 Amal St. Afek Industrial Park, Rosh Ha'ayin 48092 ISRAEL
 E-mail: nir-or@nir-or.com Tel: +972 3 9155222 / 203
 Web Site: www.nir-or.com Fax: +972 3 9155223